

Read this instruction carefully. See hardware and furniture part list for guidance. Be sure all parts are complete, before you assemble. Place all wooden furniture parts on a clean and flat soft surface to prevent from being scratched. Follow the figure to start assembling.

CAUTIONS : 1. Do not FULLY - TIGHTEN the nut or nut bolt until all nut or bolt is ready assemble.
 2. Do not OVER - TIGHTEN the nut or bolt to avoid causing damages to the thread.
 3. Keep all hardware parts out of reach of children.

NOTE : THE LIST AND QUANTITY SHOWN ARE FOR 1 UNIT ASSEMBLY.

Tool needed : Screwdriver (not provider).

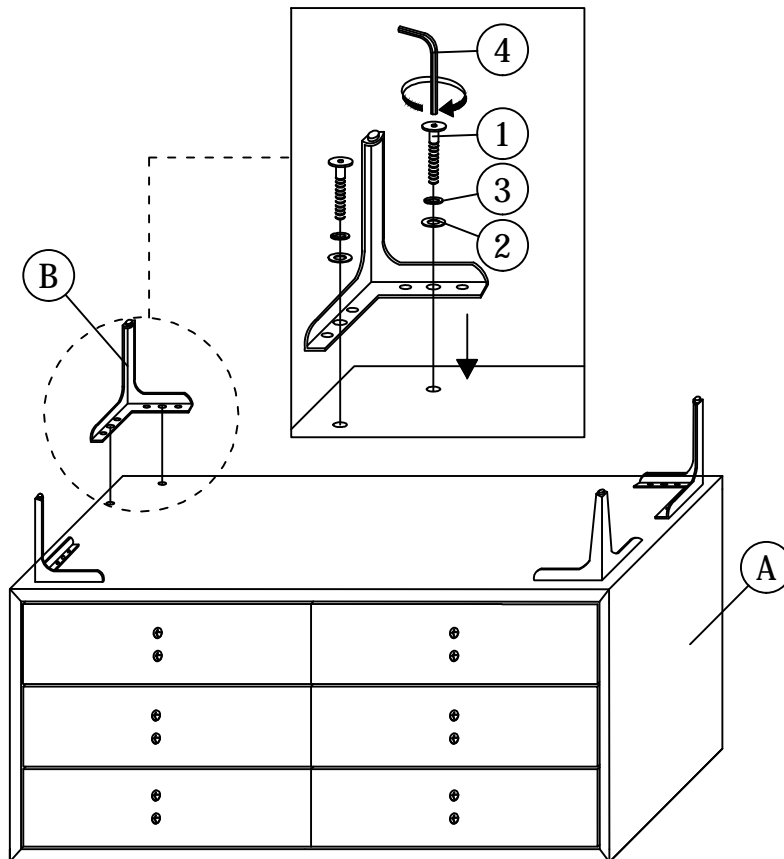
PART LIST		
ITEM	DESCRIPTION	QTY
A	BODY	1 PC
B	LEG	4 PCS
C	HANDLE	6 PCS
D	HANDLE SCREW	12 PCS
E	FLAT WASHER	12 PCS
F	DRAWER	6 PCS

HARDWARE LIST		
ITEM	DESCRIPTION	QTY
1	JCBC BOLT M6 x 20mm 	8 PCS
2	M6 FLAT WASHER 	8 PCS
3	M6 SPRING WASHER 	8 PCS
4	M4 ALLEN KEY (BALL SHAPE) 	1 PC

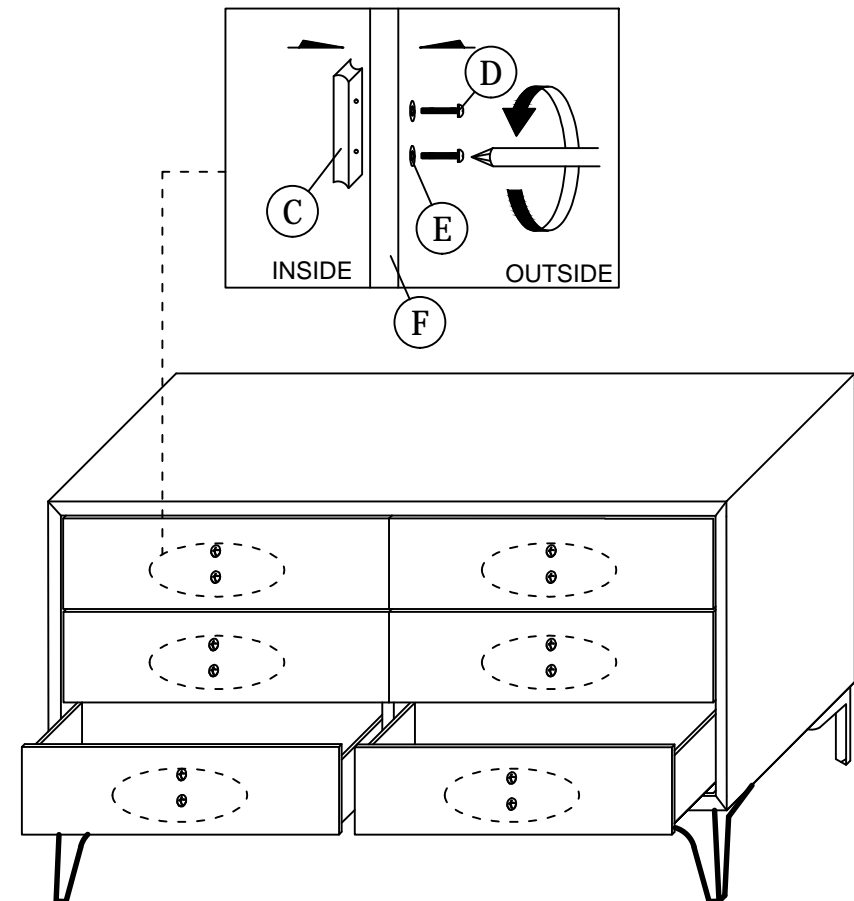
STEP 1

Note:

Open the last of drawer and take out all the parts.



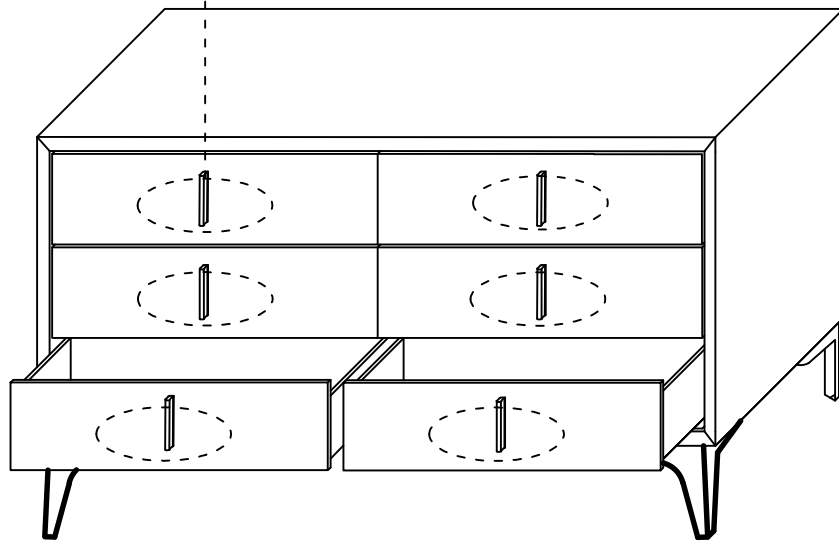
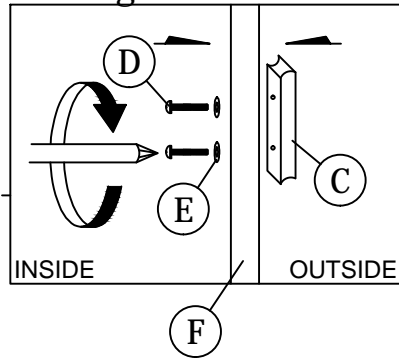
STEP 2



ASSEMBLY INSTRUCTIONS

STEP 3

Note :
Hold the handle flat and
then tighten the screws



STEP 4

